

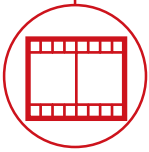
RTH 6.26



CONSTRUCTION



LOGISTICS



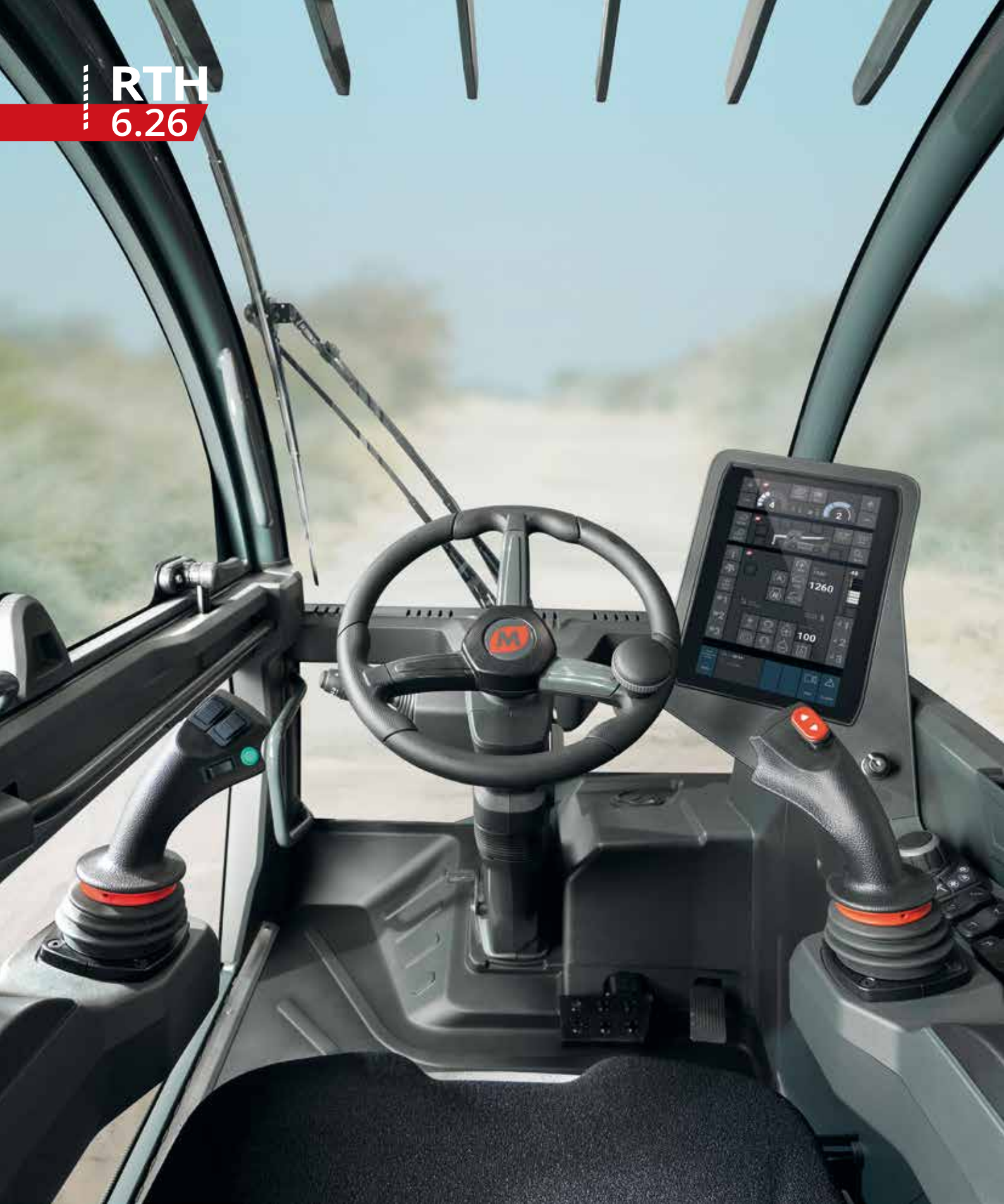
EVENTS AND
FILM



FORESTRY



RTH 6.26



CAB

Best-in-class
safety and visibility



PERFORMANCE

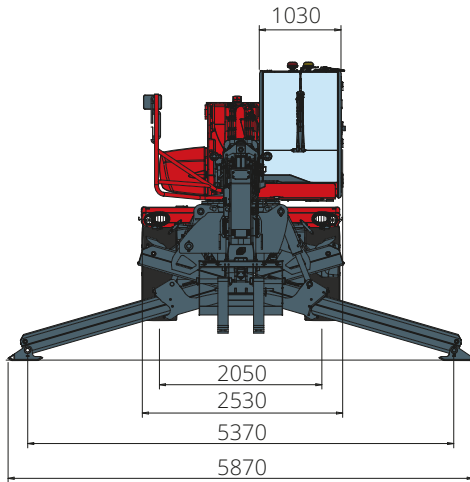
Unrivalled lifting
performance



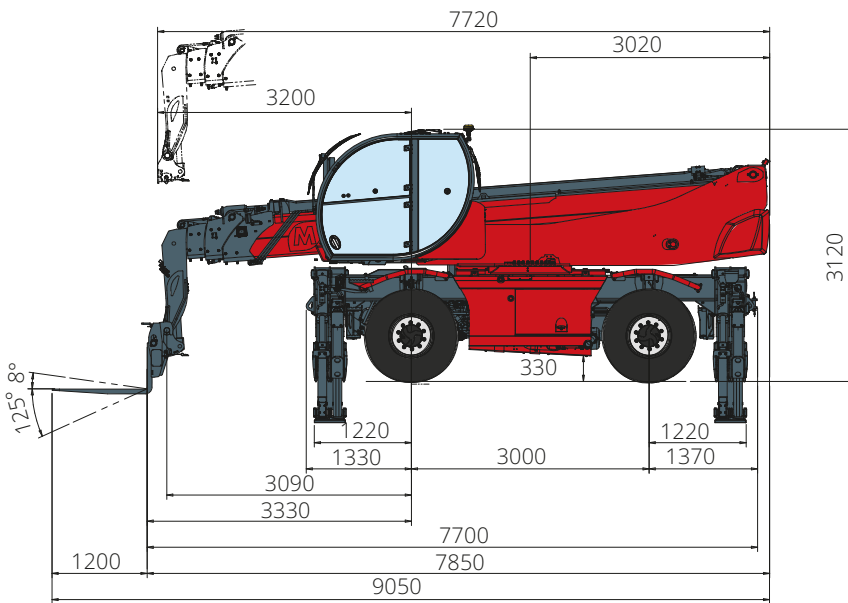
LOAD LIVE DIAGRAM

Three real-time dynamic
load charts

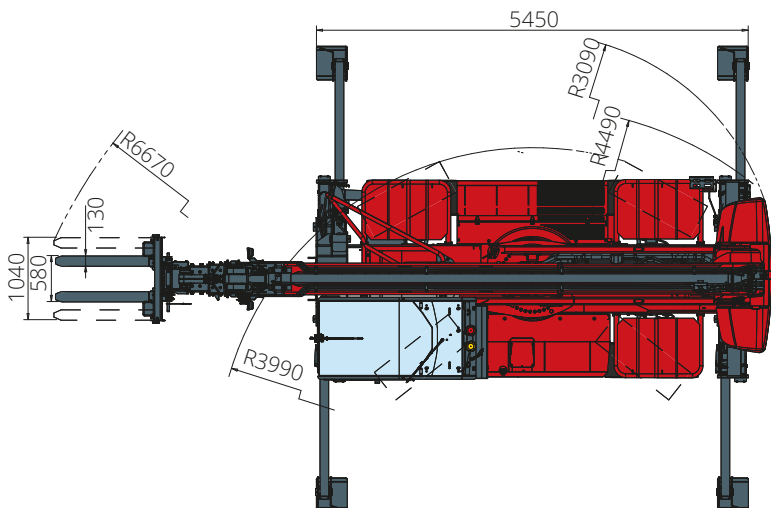
DIMENSIONS (mm)



FRONT
view



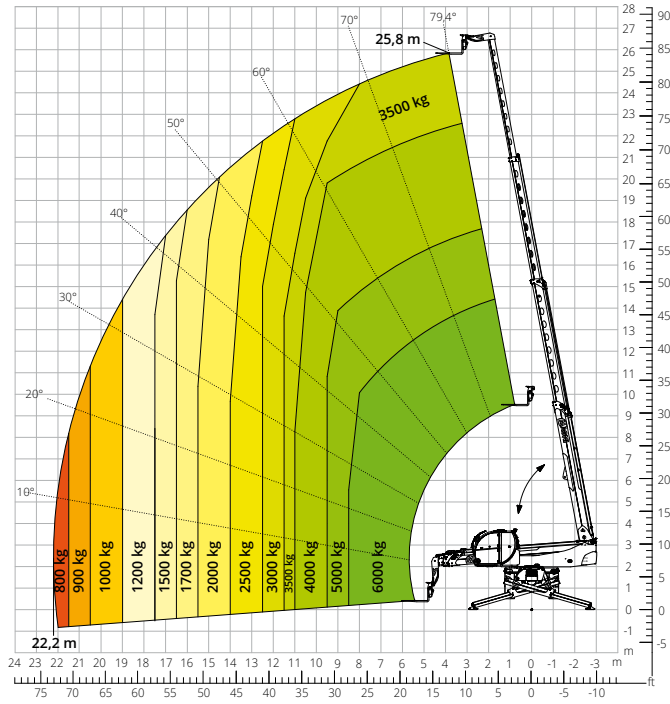
SIDE
view



TOP
view

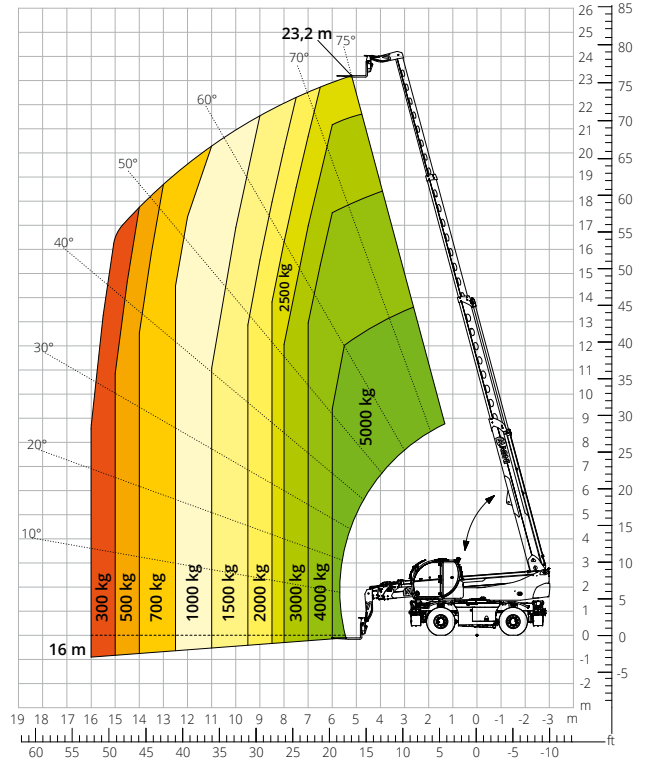
Load chart with
FULLY EXTENDED STABILISERS (360°)

ATT-03-004



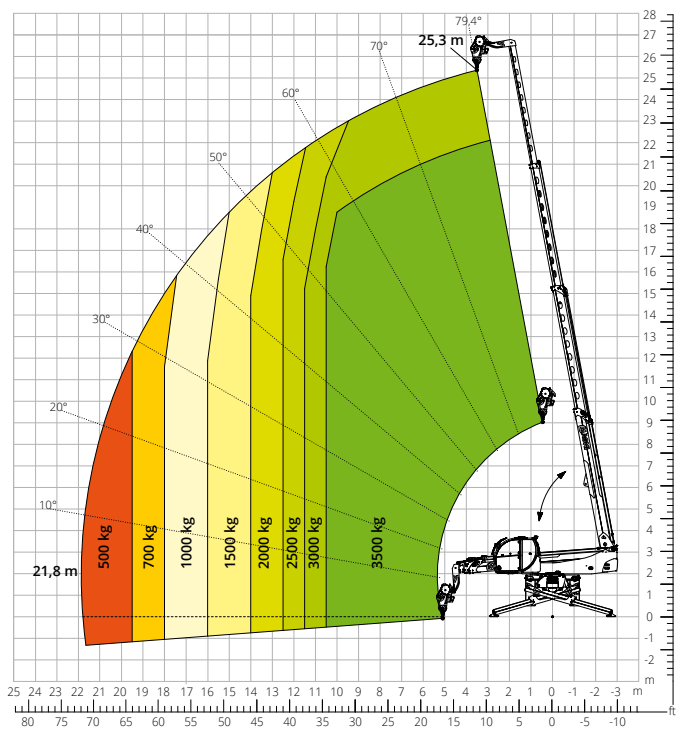
Load chart with
FRONT ATTACHMENT ON TYRES

ATT-03-004



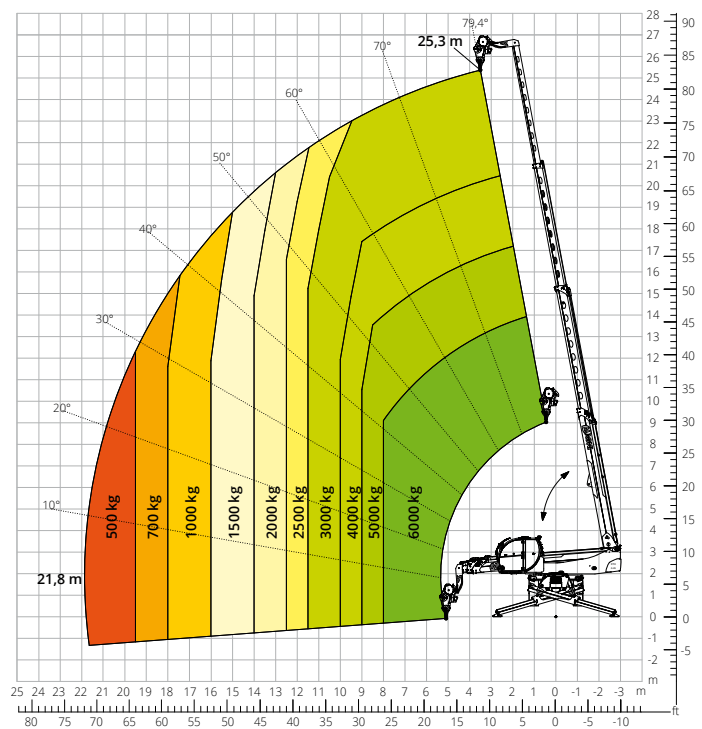
Load chart with
WINCH, 3,500 kg

ATT - 02 - 002

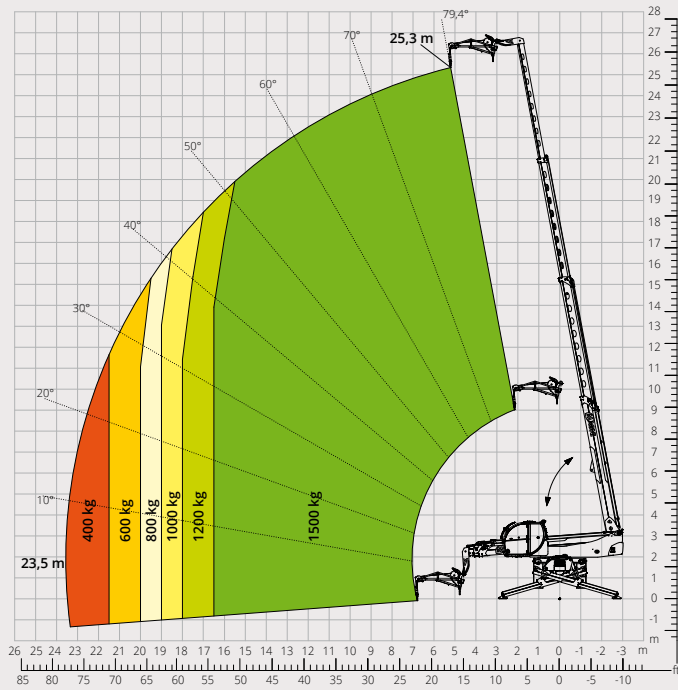


Load chart with
WINCH, 6,000 kg

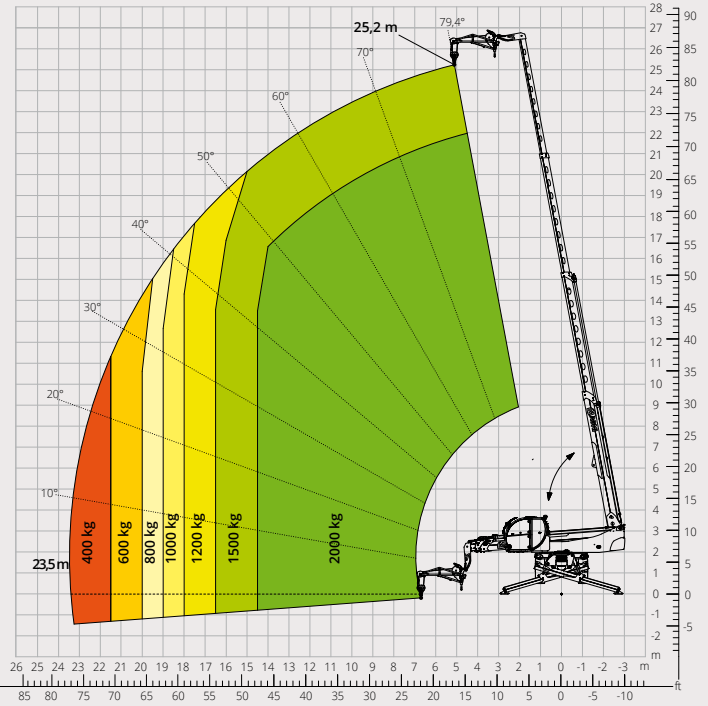
ATT - 02 - 004



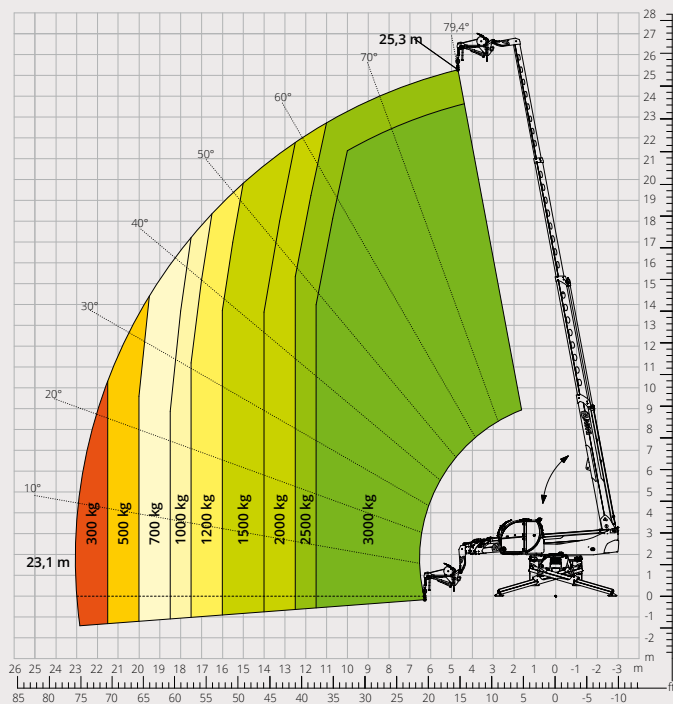
Load chart with
JIB WITH WINCH, 1,500 kg
 ATT - 04 - 011



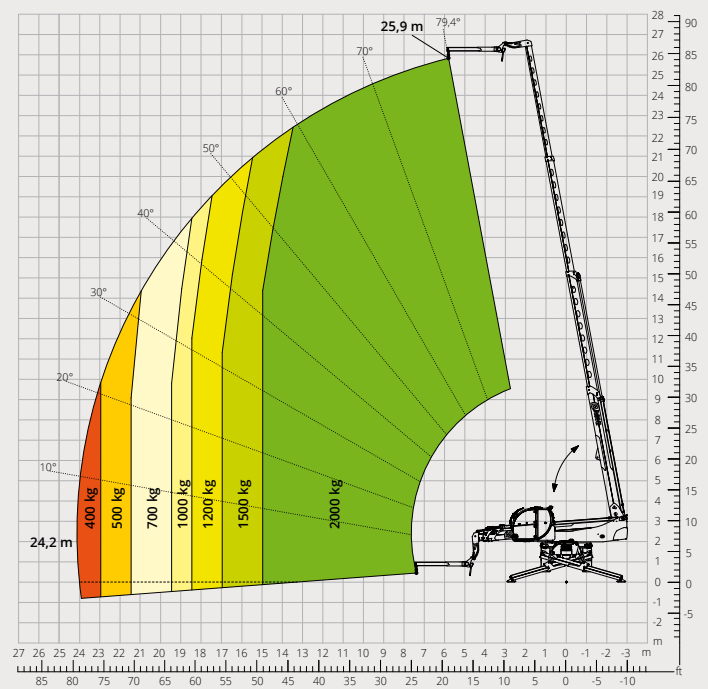
Load chart with
JIB WITH WINCH, 2,000 kg
 ATT - 04 - 015



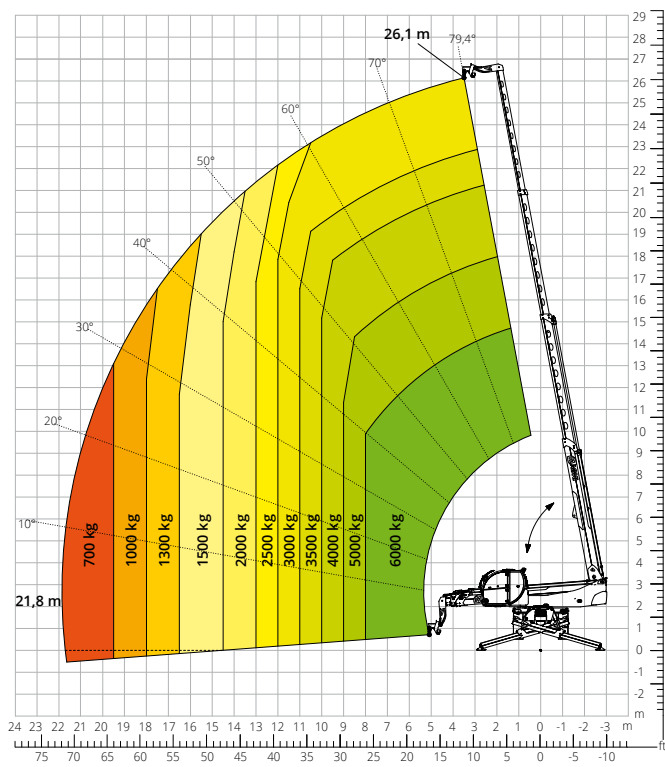
Load chart with
JIB WITH WINCH, 3,000 kg
 ATT - 04 - 019



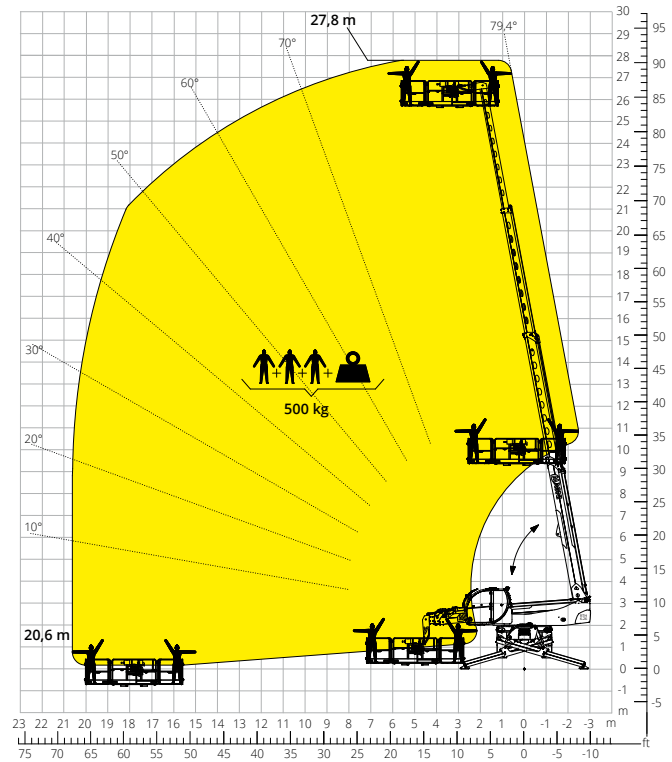
Load chart with
JIB, 2,000 kg
 ATT - 04 - 013



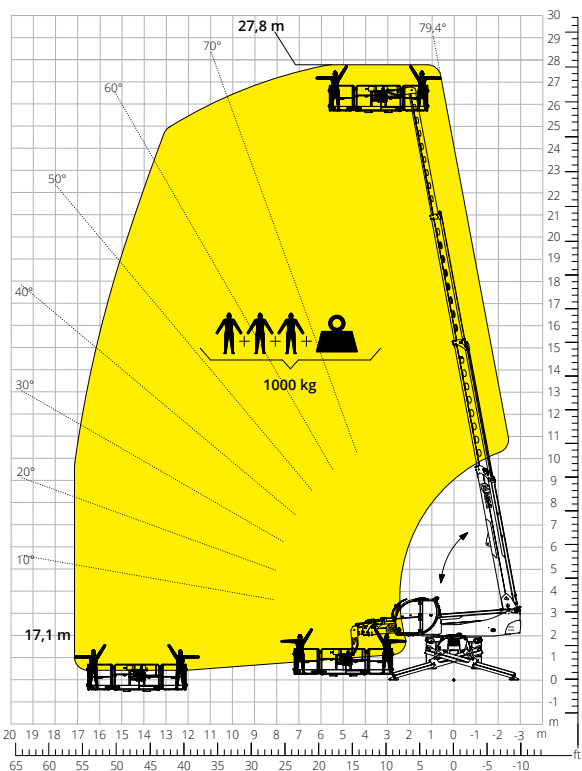
Load chart with
HOOK, 6,000 kg
ATT - 05 - 001



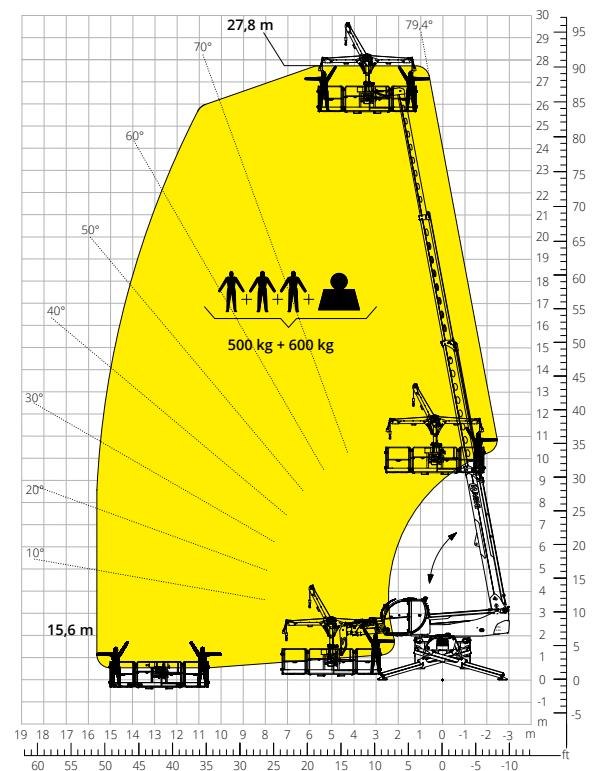
Load chart with
ROTATING EXTENDABLE PLATFORM, 500 kg
ATT - 01 - 007



Load chart with
ROTATING EXTENDABLE PLATFORM, 1,000 kg
ATT - 01 - 016



Load chart with
PLATFORM, 500 kg, WITH WINCH, 600 kg
ATT - 01 - 026



| | | | |
|--|---|--|---------------------------------|
| Machine model | Rotating telescopic handler | RTH 6.26 | |
| | Maximum lifting capacity | 6,000 kg | |
| | Maximum lifting height | 25.80 m | |
| | Maximum reach | 22.20 m | |
| | Rotation | 360° (continuous) | |
| Stabilisers | Type | Telescopic scissor | |
| Engine | Model | Deutz TCD 3,6 L4 EDG Stage IIIA | Deutz TCD 3,6 L4 Stage V |
| | Rated power | 100 kW (136 hp) at 2,200 rpm | |
| | Maximum torque | 500 Nm at 1,600 rpm | 500 Nm at 1,600 rpm |
| | Displacement | 3,6 l | |
| | Cylinders | 4 in line | |
| | Engine type | Turbocharged direct injection diesel | |
| | Cooling system | Water – intercooler | |
| Transmission | Type | Hydrostatic | |
| | Maximum pressure | 480 bar | |
| | Gearbox | Dropbox, 2 speeds forward-reverse | |
| Axles and brakes | Type | Axles with planetary gearboxes | |
| | Front axle | Oscillating and steering with levelling, +/-8° | |
| | Rear axle | Oscillating and steering with hydraulic lock | |
| | No. of driving/steering wheels | 4WD - 4WS | |
| | Steering mode | Frontal/Concentric/Crab | |
| | Service brake | Wet multi-disk on front and rear axle | |
| | Parking brake | Hydraulic with negative action on front axle | |
| Performance | Tyre sizes | 445/65 R22.5 | |
| | Max. travel speed | 40 km/h | |
| | Gradeability (unladen) | 35% | |
| Weights | Turning radius (at forks) | 6,670 mm | |
| | Total unladen* | 19,600 kg | |
| Tank and system capacities | Diesel fuel | 240 l | 240 l |
| | AdBlue | - | 10 l |
| | Hydraulic fluid | 117 l | 117 l |
| | Engine oil | 9 l | 9 l |
| | Coolant | 20 l | 20 l |
| Hydraulic circuit for movements | Circuit type | Load sensing | |
| | Service pump | Variable displacement | |
| | Max. hydraulic flow rate | 130 l/min | |
| | Max. boom head flow rate | 75 l/min | |
| | Max. working pressure | 350 bar | |
| | Distributor for boom and turret movements | SIL 2 electro-proportional valve | |
| Standards met | Movements control | Dual joystick with integrated manoeuvre enable | |
| | 2006/42/EC: EU Machinery Directive | | |
| | 2016/1628: EU Regulation on the emissions of stage V engines | | |
| | EN 1459-X: Relating to standards on the safety requirements for variable reach machines | | |
| | EN 280-1/EN 280-2: standards relating to mobile elevating work platforms (if available) | | |
| ROPS/level 2 FOPS: relating to the standards for protective structures | | | |

The data given in this brochure are provided for information purposes and are subject to change without prior notice.

All images are purely guideline and might not give an exact representation of the product.

**the stated weight refers to the vehicle unladen with standard equipment and may vary depending on the chosen configuration.*

The standard machine configuration includes:

CAB

- “Easy access” system
- Premium tilting seat with air suspension and headrest
- Adjustable steering column
- Analogue joypad
- Adjustable sunblind
- Heating
- Air conditioning
- FM/AM radio with USB and Bluetooth connectivity
- Ambient LED lights
- USB Type-A and Type-C (5 V) inputs

REAL TIME INFORMATION

- Touchscreen, 12”
- MCTS – Magni Combi Touch System on-board software
- Automatic RFID tools recognition system
- LMI – Load Moment Indicator
- LLD – Live Load Diagram
- Onboard and remote integrated diagnostics
- Reversing camera with image integrated in the MCTS

TECHNICAL SPECIFICATIONS

- Q-Fit standard
- Provision for platform
- Advanced three-line CAN BUS system
- Automatic levelling system for outriggers
- Automatic front and rear wheel alignment
- High-precision turret rotation motor by Liebherr
- Automatic parking brake
- Mechanical battery cut-off in engine compartment
- Electrical system: 24 V – IP67

SERVICE

- MyMagni by Trackunit connectivity system (Free of charge on request)
- Warranty: 24 months/2,000 hours